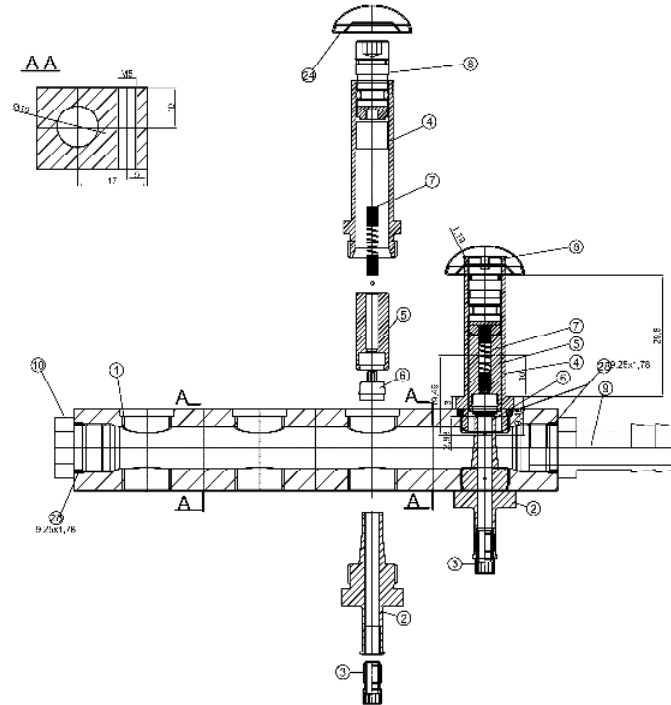


MASTER Technical Specification



1	Piloting Voltage	12 V d.c.	Info
2	Opening and closing time	2,5 on / 2,5 off ms	
3	Electrical connection	Waterproof AMP SS connector	
4	Resistance of the coil	3 Ohm \pm 5%	
5	Function	Injection Rail for sequential injection systems	For LPG and CNG
6	Off Voltage position	Closed	
7	Max working pressure	0,3 MPa	
8	Test Pressure Class 2	0,45 MPa	
10	Type	1, 2, 3 and 4 section	
11	Working Temperature	-40 \div 120 $^{\circ}$ C	
12	Gas Temperature	-40 \div 80 $^{\circ}$ C	
13	Certificates	67R-01, 110R-00	
14	Angle In/Out	At 90 $^{\circ}$	
15	Inlet /Outlet Connection	Rubber Hose 12 mm / 5 mm	
16	Corrosion resistance	ISO 9227	
17	Color of coil	black	
18	Nozzle type	UNF 8-36	Diameter 1,5 \div 2,6 mm
20	Endurance test	Over 170 000 000	
21	Outside Leakage	nothing	
22	On seat Leakage	nothing	
23	Mounting Material	Mounting support and nozzles	